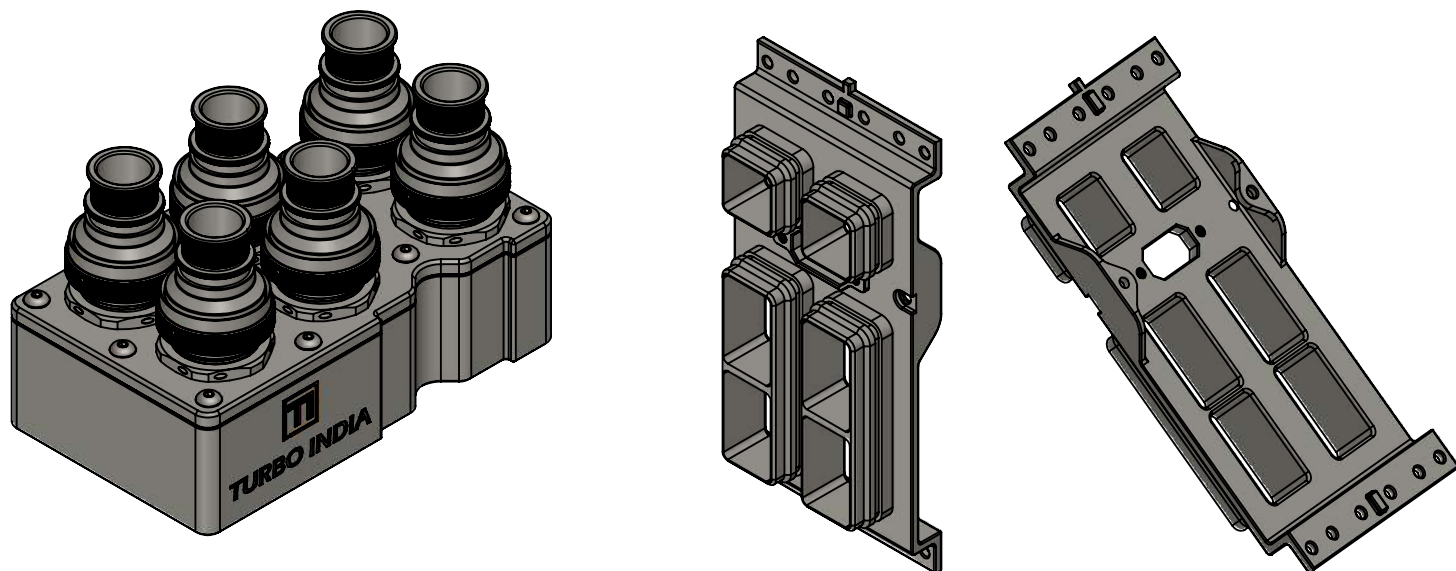


ASSEMBLY USED ON : PLUG - SHELL SIZE 3



| REVISIONS | | | | DATE | |
|-----------|------------|--------------|-------------|------------|----|
| REV NO. | REVISED BY | DATE OF REV. | APPROVED BY | DRAWN : | AD |
| 01 | VN | 06-01-2021 | AD | CHECKED : | AD |
| | | | | APPROVED : | MR |



TURBO INDIA
INTERCONNECT SOLUTIONS

#114, 1st Floor, P C Industrial Estate, Kamakshipalya,
Magadi Rd, Bangalore 560 079, Karnataka, India

THIS DRAWING IS COPYRIGHT AND THE PROPERTY OF TURBO INDIA. IT MUST NOT BE COPIED, USED FOR MANUFACTURE OR OTHERWISE DISCLOSED WITHOUT PRIOR WRITTEN CONSENT OF THE COMPANY.

UNLESS OTHERWISE SPECIFIED :
ALL DIMENSIONS IN MILLIMETRES
GENERAL TOL:
LINEAR : +/-0.10MM
ANGULAR : +/- 2°

MATERIAL : ---
WEIGHT : ---
REVISION
01
ASSEMBLY USED ON:
SIZE 3 - PLUG

DESCRIPTION :
ARINC 600 - BANDING BACKSHELL - SIZE 3 PLUG
PART NUMBER / SERIES:
TB-ARC-P-X
PAGE:NO
00

ORDERING INFORMATION

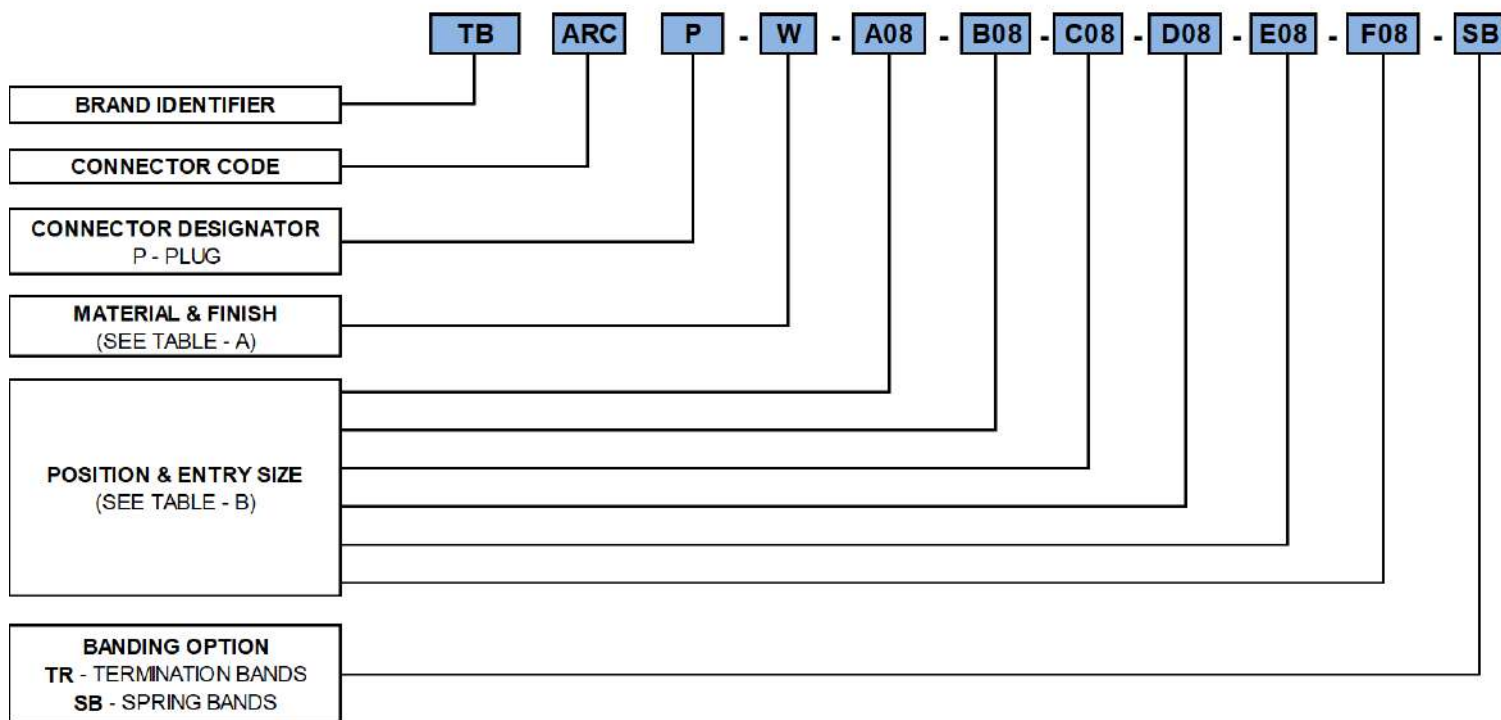


TABLE - A (MATERIAL & FINISH)

| FINISH CODE | BASE MATERIAL | FINISH |
|-------------|---------------|--|
| U | ALUMINIUM | UNPLATED |
| W | ALUMINIUM | CADIUM OLIVE DRAB OVER ELECTROLESS NICKEL |
| N | ALUMINIUM | ELECTROLESS NICKEL |
| VO | ALUMINIUM | ZINC COBALT - OLIVE DRAB OVER ELECTROLESS NICKEL |
| Z | ALUMINIUM | ZINC NICKEL - BLACK OVER ELECTROLESS NICKEL |

TABLE-B (CABLE ENTRY)

| ENTRY SIZE | ENTRY DIA |
|------------|-----------|
| 08 | 12.70 |
| 10 | 16.00 |
| 12 | 19.10 |
| 14 | 22.40 |
| 16 | 25.40 |
| 18 | 28.70 |

1. DUE TO NONSTANDARD MODIFICATIONS BY THE CONNECTOR MANUFACTURERS, CONNECTOR SAMPLES HAVE TO BE PROVIDED TO ENSURE THE MATEABILITY
2. FOR ANY KIND OF CUSTOMISATION, REACH OUT TO US ON sales@turboindia.co.in

| | | DATE |
|------------|----|------------|
| DRAWN : | AD | 01-07-2020 |
| CHECKED : | AD | 01-07-2020 |
| APPROVED : | MR | 01-07-2020 |



TURBO INDIA
 INTERCONNECTED SOLUTIONS
 #114, 1st Floor, P C Industrial Estate, Kamakshipalya,
 Magadi Rd, Bangalore 560 079, Karnataka, India

THIS DRAWING IS COPYRIGHT AND THE PROPERTY OF TURBO INDIA. IT MUST NOT BE COPIED, USED FOR MANUFACTURE OR OTHERWISE DISCLOSED WITHOUT PRIOR WRITTEN CONSENT OF THE COMPANY.

UNLESS OTHERWISE SPECIFIED :
 ALL DIMENSIONS IN MILLIMETRES
 GENERAL TOL:
 LINEAR : +/-0.10MM
 ANGULAR : +/- 2 °

| | | |
|------------|-----|-----------|
| MATERIAL : | --- | REVISION |
| WEIGHT : | --- | 01 |

ASSEMBLY USED ON:
SIZE 3 - PLUG

| | |
|---|----------------------|
| DESCRIPTION : ARINC 600 - BANDING BACKSHELL - SIZE 3 PLUG | |
| PART NUMBER / SERIES: TB-ARC-P-X | PAGE:NO 00 |