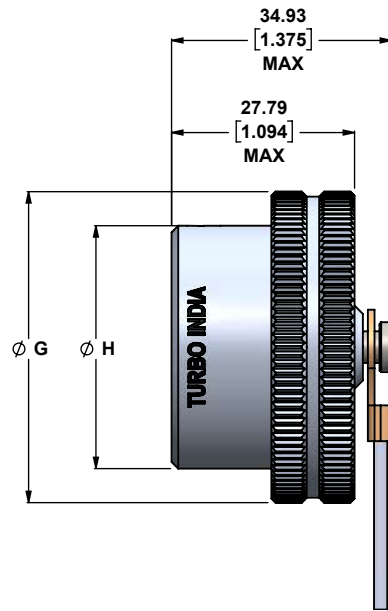
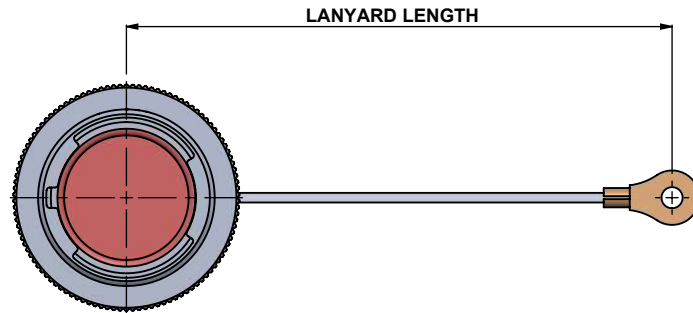


42 - PLUG COVER



43 - RECEPTACLE COVER



### ORDERING INFORMATION

**TB 43 - 17 W - Y 5 - 365B**

- BRAND IDENTIFIER**
- PRODUCT SERIES CODE**  
42 = MIL-DTL-38999 SERIES IV - PLUG  
43 = MIL-DTL-38999 SERIES IV - RECEPTACLE
- SHELL SIZE**  
(SEE TABLE-I)
- MATERIAL & FINISH**  
(SEE PAGE - D)
- EYELET / SOLID RING OPTION**  
(SEE PAGE - G)  
CF - Crimp Ferrule Option  
TW - Tie Wrap Option  
(SEE PAGE - F)
- LANYARD LENGTH**  
(IN INCHES. MEASURED FROM CENTRE OF COVER TO CENTER OF EYELET OR RIVETING DIA CENTER OF SOLID RING.)
- LANYARD OPTION**  
SC - Stainless Steel Sash Chain  
Y - Stainless Steel Wire Rope, Nylon Jacket  
T - Stainless Steel Wire Rope, Teflon Jacket  
P - Stainless Steel Wire Rope, PVC Jacket  
NB - Nylon Rope - Black  
NA - No Accessory  
(SEE PAGE - F)

**REVISIONS**

REV NO.	REVISED BY	DATE OF REV.	APPROVED BY
01	VN	06-01-2021	AD



**TURBO INDIA**

INTERCONNECT SOLUTIONS

#114, P.C Industrial Estate Kamakshipalya,  
Magadi Rd. Bangalore 560 079, Karnataka, India

THIS DRAWING IS COPYRIGHT AND THE PROPERTY OF TURBO INDIA. IT MUST NOT BE COPIED, USED FOR MANUFACTURE OR OTHERWISE DISCLOSED WITHOUT PRIOR WRITTEN CONSENT OF THE COMPANY.

UNLESS OTHERWISE SPECIFIED :  
ALL DIMENSIONS IN MILLIMETRES  
GENERAL TOL:  
LINEAR : +/-0.10MM  
ANGULAR : +/- 2 °

	DATE
DRAWN :	AD 30-01-2020
CHECKED :	AD 30-01-2020
APPROVED :	MR 30-01-2020
MATERIAL :	---
WEIGHT :	---
REVISION	<b>01</b>

DESCRIPTION :	
<b>PROTECTIVE COVER MIL-DTL-38999 SERIES IV</b>	
PART NUMBER / SERIES:	PAGE:NO
<b>SERIES 42 &amp; 43</b>	<b>59</b>

**TABLE - I SHELL SIZE DIMENSIONS**

SHELL SIZE	E MAX	F MAX	G MAX	H MAX	STANDARD LANYARD LENGTH
11	35.05 (1.380)	12.92 (0.509)	26.59 (1.047)	19.18 (0.775)	127.00 (5.00)
13	39.88 (1.570)	16.10 (0.634)	30.99 (1.220)	22.86 (0.900)	127.00 (5.00)
15	42.17 (1.660)	19.28 (0.759)	34.19 (1.346)	26.42 (1.040)	127.00 (5.00)
17	49.47 (1.790)	22.48 (0.885)	37.39 (1.472)	29.21 (1.150 )	127.00 (5.00)
19	48.77 (1.920)	25.63 (1.009)	40.21 (1.583)	32.39 (1.275)	127.00 (5.00)
21	52.33 (2.060)	28.80 (1.134)	43.31 (1.705)	35.56 (1.400)	127.00 (5.00)
23	57.15 (2.250)	31.98 (1.259)	46.50 (1.831)	38.74 (1.525)	127.00 (5.00)
25	60.45 (2.380)	35.15 (1.384)	49.71 (1.957)	41.91 (1.650)	127.00 (5.00)

1. DIMENSIONS IN PARENTHESIS ARE IN INCHES.
2. FOR ANY KIND OF LANYARD AND OTHER ATTACHMENTS, REACHOUT TO US ON [sales@turboindia.co.in](mailto:sales@turboindia.co.in)



**TURBO INDIA**

INTERCONNECT SOLUTIONS

#114, P.C Industrial Estate Kamakshipalya,  
Magadi Rd. Bangalore 560 079, Karnataka, India

DATE

30-01-2020

DRAWN : AD

CHECKED : AD

APPROVED : MR

MATERIAL : ---

WEIGHT : ---

REVISION

01

DESCRIPTION :

**PROTECTIVE COVER MIL-DTL-38999 SERIES IV**

PART NUMBER / SERIES:

**SERIES 42 & 43**

PAGE:NO

**60**

THIS DRAWING IS COPYRIGHT AND THE PROPERTY OF TURBO INDIA. IT MUST NOT BE COPIED, USED FOR MANUFACTURE OR OTHERWISE DISCLOSED WITHOUT PRIOR WRITTEN CONSENT OF THE COMPANY.

UNLESS OTHERWISE SPECIFIED :  
ALL DIMENSIONS IN MILLIMETRES  
GENERAL TOL:  
LINEAR : +/-0.10MM  
ANGULAR : +/- 2 °