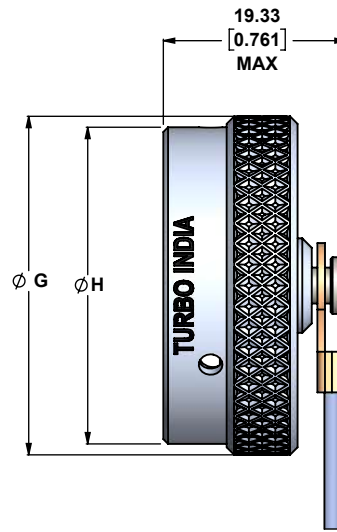
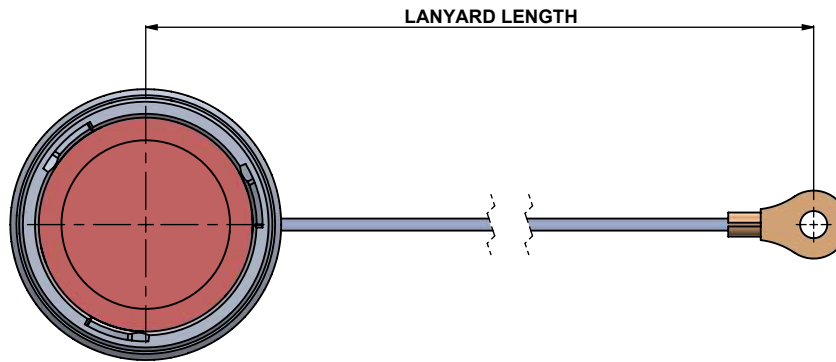


22 - PLUG COVER



23 - RECEPTACLE COVER



ORDERING INFORMATION

TB 23 - 18 W - Y 5 - 365B

- BRAND IDENTIFIER** - TURBO INDIA
- PRODUCT SERIES CODE**
 - 22 = MIL-DTL-38999 SERIES II - PLUG
 - 23 = MIL-DTL-38999 SERIES II - RECEPTACLE
- SHELL SIZE** (SEE TABLE-I)
- MATERIAL & FINISH** (SEE PAGE - D)
- EYELET / SOLID RING OPTION** (SEE PAGE - G)
 - CF - Crimp Ferrule Option
 - TW - Tie Wrap Option (SEE PAGE - F)
- LANYARD LENGTH** (IN INCHES. MEASURED FROM CENTRE OF COVER TO CENTER OF EYELET OR RIVETING DIA CENTER OF SOLID RING.)
- LANYARD OPTION**
 - SC - Stainless Steel Sash Chain
 - Y - Stainless Steel Wire Rope, Nylon Jacket
 - T - Stainless Steel Wire Rope, Teflon Jacket
 - P - Stainless Steel Wire Rope, PVC Jacket
 - NB - Nylone Rope - Black
 - NA - No Accessory (SEE PAGE - F)

REVISIONS

REV NO.	REVISED BY	DATE OF REV.	APPROVED BY
01	VN	06-01-2021	AD



TURBO INDIA

INTERCONNECT SOLUTIONS

#114, P.C Industrial Estate Kamakshipalya, Magadi Rd. Bangalore 560 079, Karnataka, India

THIS DRAWING IS COPYRIGHT AND THE PROPERTY OF TURBO INDIA. IT MUST NOT BE COPIED, USED FOR MANUFACTURE OR OTHERWISE DISCLOSED WITHOUT PRIOR WRITTEN CONSENT OF THE COMPANY.

UNLESS OTHERWISE SPECIFIED :
ALL DIMENSIONS IN MILLIMETRES
GENERAL TOL:
LINEAR : +/-0.10MM
ANGULAR : +/- 2 °

	DATE
DRAWN :	AD 30-01-2020
CHECKED :	AD 30-01-2020
APPROVED :	MR 30-01-2020
MATERIAL :	---
WEIGHT :	---
REVISION	01

DESCRIPTION :	
PROTECTIVE COVER MIL-DTL-38999 SERIES II	
PART NUMBER / SERIES:	PAGE:NO
SERIES 22 & 23	55

TABLE - I SHELL SIZE DIMENSIONS

SHELL SIZE	E MAX	F MAX	G MAX	H MAX	STANDARD LANYARD LENGTH
08	18.30 (0.720)	12.00 (0.473)	19.05 (0.750)	16.00 (0.630)	76.20 (3.00)
10	21.60 (0.850)	15.00 (0.590)	21.82 (0.859)	19.33 (0.761)	76.20 (3.00)
12	25.40 (1.000)	19.10 (0.750)	26.19 (1.031)	23.77 (0.936)	88.90 (3.50)
14	28.70 (1.130)	22.20 (0.875)	29.36 (1.156)	27.28 (1.074)	88.90 (3.50)
16	31.80 (1.250)	25.40 (1.000)	32.54 (1.281)	29.77 (1.172)	88.90 (3.50)
18	35.10 (1.380)	28.60 (1.125)	35.71 (1.406)	33.12 (1.304)	88.90 (3.50)
20	38.10 (1.500)	31.80 (1.250)	38.89 (1.531)	36.45 (1.435)	101.60 (4.00)
22	41.40 (1.630)	34.90 (1.375)	41.68 (1.640)	39.62 (1.560)	101.60 (4.00)
24	44.50 (1.750)	38.10 (1.500)	44.86 (1.766)	42.88 (1.688)	101.60 (4.00)

1. DIMENSIONS IN PARENTHESIS ARE IN INCHES.
2. FOR ANY KIND OF LANYARD AND OTHER ATTACHMENTS, REACHOUT TO US ON sales@turboindia.co.in



TURBO INDIA

INTERCONNECT SOLUTIONS

#114, P.C Industrial Estate Kamakshipalya,
Magadi Rd. Bangalore 560 079, Karnataka, India

DATE
30-01-2020
30-01-2020
30-01-2020
REVISION
01

THIS DRAWING IS COPYRIGHT AND THE PROPERTY OF TURBO INDIA. IT MUST NOT BE COPIED, USED FOR MANUFACTURE OR OTHERWISE DISCLOSED WITHOUT PRIOR WRITTEN CONSENT OF THE COMPANY.

UNLESS OTHERWISE SPECIFIED :
ALL DIMENSIONS IN MILLIMETRES
GENERAL TOL:
LINEAR : +/-0.10MM
ANGULAR : +/- 2 °

DRAWN :	AD
CHECKED :	AD
APPROVED :	MR
MATERIAL :	---
WEIGHT :	---

DESCRIPTION :	
PROTECTIVE COVER MIL-DTL-38999 SERIES II	
PART NUMBER / SERIES:	PAGE:NO
SERIES 22 & 23	56