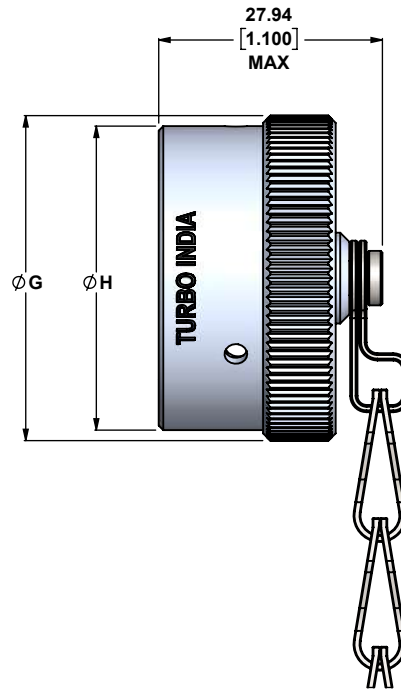
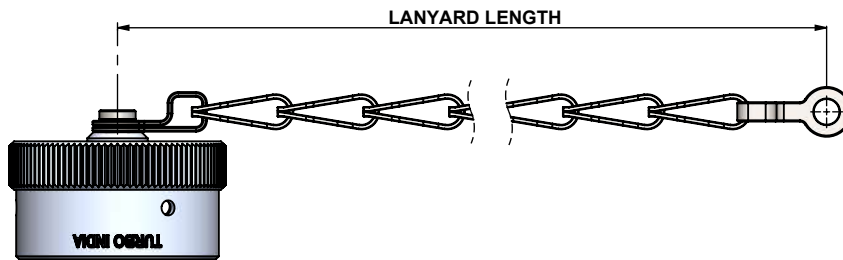


12 - PLUG COVER

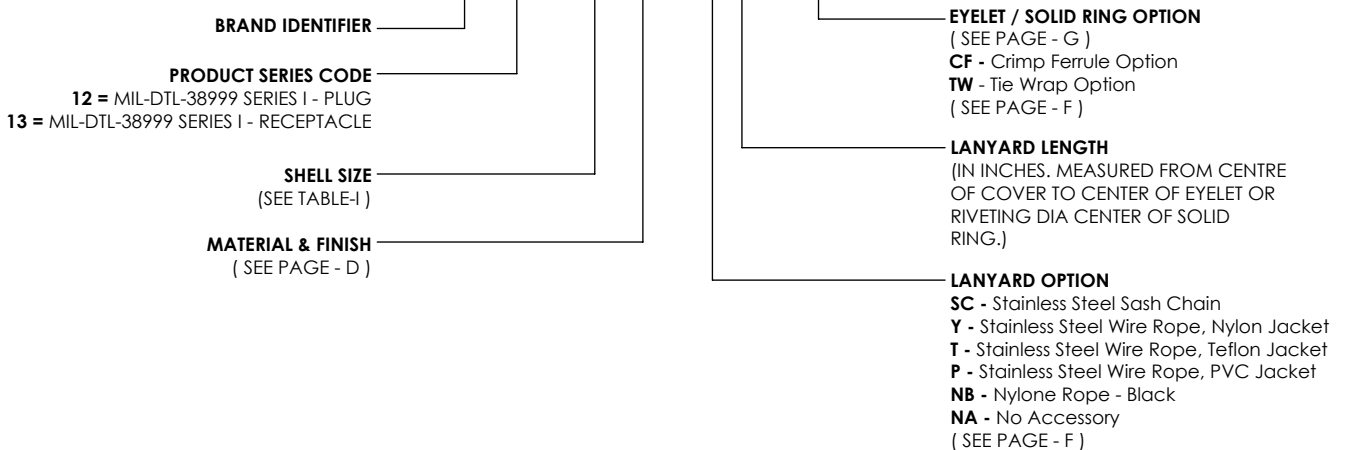


13 - RECEPTACLE COVER



ORDERING INFORMATION

TB 12 - 19 W - Y 5 - 03



REVISIONS

REV NO.	REVISED BY	DATE OF REV.	APPROVED BY
01	VN	06-01-2021	AD



TURBO INDIA

INTERCONNECT SOLUTIONS

#114, P.C Industrial Estate Kamakshipalya, Magadi Rd. Bangalore 560 079, Karnataka, India

<p>THIS DRAWING IS COPYRIGHT AND THE PROPERTY OF TURBO INDIA. IT MUST NOT BE COPIED, USED FOR MANUFACTURE OR OTHERWISE DISCLOSED WITHOUT PRIOR WRITTEN CONSENT OF THE COMPANY.</p>	<p>UNLESS OTHERWISE SPECIFIED : ALL DIMENSIONS IN MILLIMETRES GENERAL TOL: LINEAR : +/-0.10MM ANGULAR : +/- 2 °</p>	DRAWN :	AD	30-01-2020	<p>DESCRIPTION :</p> <p>PROTECTIVE COVER MIL-DTL-38999 SERIES I</p>
		CHECKED :	AD	30-01-2020	
		APPROVED :	MR	30-01-2020	
		MATERIAL :	---	<p>REVISION</p> <p>01</p>	<p>PART NUMBER / SERIES:</p> <p>SERIES 12 & 13</p>
WEIGHT :	---				

TABLE - I SHELL SIZE DIMENSIONS

SHELL SIZE	E MAX	F MAX	G MAX	H MAX	STANDARD LANYARD LENGTH
09	20.80 (0.820)	14.53 (0.572)	21.80 (0.860)	20.80 (0.820)	76.20 (3.00)
11	23.90 (0.940)	17.78 (0.700)	24.90 (0.980)	23.90 (0.940)	76.20 (3.00)
13	27.20 (1.075)	21.59 (0.850)	29.50 (1.160)	27.90 (1.100)	88.90 (3.50)
15	30.20 (1.190)	24.76 (0.975)	32.50 (1.280)	31.00 (1.220)	88.90 (3.50)
17	33.50 (1.320)	27.94 (1.100)	35.80 (1.410)	34.00 (1.340)	88.90 (3.50)
19	36.60 (1.440)	30.66 (1.207)	38.60 (1.520)	37.10 (1.460)	88.90 (3.50)
21	39.90 (1.570)	33.83 (1.332)	41.90 (1.650)	40.10 (1.580)	101.60 (4.00)
23	42.90 (1.690)	37.01 (1.457)	45.00 (1.770)	43.20 (1.700)	101.60 (4.00)
25	46.20 (1.820)	40.18 (1.582)	48.00 (1.890)	46.50 (1.830)	101.60 (4.00)

- DIMENSIONS IN PARENTHESIS ARE IN INCHES.
- FOR ANY KIND OF LANYARD AND OTHER ATTACHMENTS, REACHOUT TO US ON sales@turboindia.co.in



TURBO INDIA

INTERCONNECT SOLUTIONS

#114, P.C Industrial Estate Kamakshipalya,
Magadi Rd. Bangalore 560 079, Karnataka, India

<p>THIS DRAWING IS COPYRIGHT AND THE PROPERTY OF TURBO INDIA. IT MUST NOT BE COPIED, USED FOR MANUFACTURE OR OTHERWISE DISCLOSED WITHOUT PRIOR WRITTEN CONSENT OF THE COMPANY.</p>	<p>UNLESS OTHERWISE SPECIFIED : ALL DIMENSIONS IN MILLIMETRES GENERAL TOL: LINEAR : +/-0.10MM ANGULAR : +/- 2 °</p>	DRAWN :	AD	30-01-2020	DESCRIPTION :	<p>PROTECTIVE COVER MIL-DTL-38999 SERIES I</p>	
		CHECKED :	AD	30-01-2020			
		APPROVED :	MR	30-01-2020			
		MATERIAL :	---	REVISION	<p>01</p>	PART NUMBER / SERIES:	PAGE:NO
		WEIGHT :	---	<p>SERIES 12 & 13</p>			