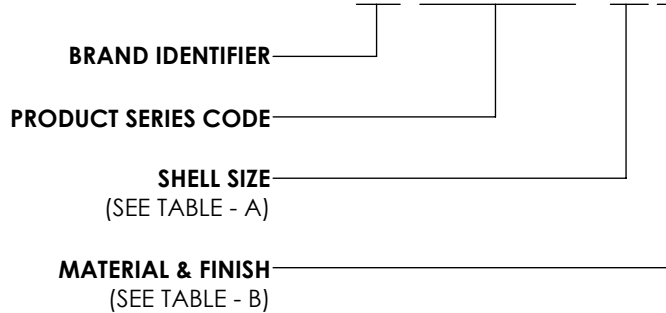


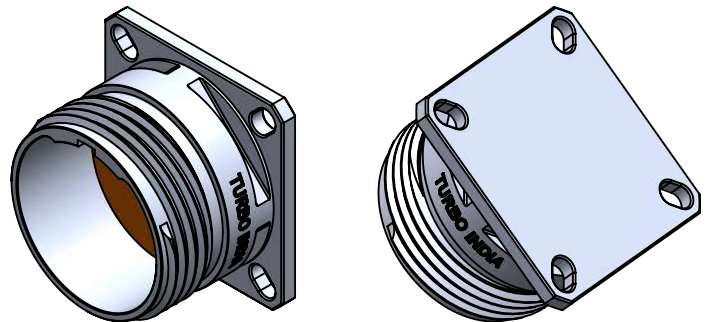
**SECTION A-A**

**ORDERING INFORMATION**

**TB DSR-03-10W**



\*\* PART MARKING AS PER CUSTOMER REQUIREMENT



THIS DRAWING IS COPYRIGHT AND THE PROPERTY OF TURBO INDIA INTERCONNECT SOLUTIONS. IT MUST NOT BE COPIED, USED FOR MANUFACTURE OR OTHERWISE DISCLOSED WITHOUT PRIOR WRITTEN CONSENT OF THE COMPANY.

UNLESS OTHERWISE SPECIFIED : ALL DIMENSIONS IN MILLIMETRES  
**GENERAL TOL:**  
 LINEAR : ± 0.10MM  
 ANGULAR : ± 2°

DATE		
DRAWN :	VN	09-05-2021
CHECKED :	AD	09-05-2021
APPROVED :	AD	09-05-2021

MATERIAL :	---	<b>REV.No</b> <b>00</b>
WEIGHT :	---	
<b>ASSEMBLY USED ON:</b> MIL-DTL 38999 Series III Connectors		

<b>DESCRIPTION :</b> <b>DUMMY STOWAGE RECEPTACLE</b>		
<b>PART NUMBER / SERIES:</b> <b>TBDSR-03</b>		<b>PAGE:NO</b> <b>67</b>

**TABLE - A (SHELL SIZE)**

SHELL SIZE	A THREAD	B MAX	C MAX	D	E	F MAX	G ± 0.20	Ø H
09	0.625-0.1P-0.3L-TS	21.40	2.80	15.10	18.30	24.10	3.30	12.50
11	0.750-0.1P-0.3L-TS	21.40	2.80	18.30	20.60	26.50	3.30	15.70
13	0.875-0.1P-0.3L-TS	21.40	2.80	20.60	23.00	28.90	3.30	19.50
15	1.000-0.1P-0.3L-TS	21.40	2.80	23.00	24.60	31.30	3.30	22.70
17	1.1875-0.1P-0.3L-TS	21.40	2.80	24.60	27.00	33.60	3.30	25.90
19	1.250-0.1P-0.3L-TS	21.40	2.80	27.00	29.40	36.80	3.30	28.50
21	1.375-0.1P-0.3L-TS	20.60	3.50	29.40	31.80	40.00	3.30	31.70
23	1.500-0.1P-0.3L-TS	20.60	3.50	31.80	34.90	43.20	3.90	34.90
25	1.625-0.1P-0.3L-TS	20.60	3.50	34.90	38.10	46.30	3.90	38.10

**TABLE - B (MATERIAL & FINISH)**

CODE	BASE MATERIAL	DESCRIPTION
N	Aluminium Alloy 6061-T6	Electroless Nickel
W		Cadmium Olive-Drab
Z		Zinc Nickel - Black
AU		Natural / Unplated
S	Stainless Steel	Passivated
NU	Marine Bronze	Natural / Unplated
NS	Marine Bronze	Shot Blasted

DRAWN :		DATE	
VN		09-05-2021	
CHECKED :	AD	09-05-2021	
APPROVED :	AD	09-05-2021	



**TURBO INDIA**  
 INTERCONNECT SOLUTIONS  
 #114, 1st Floor, P C Industrial Estate, Kamakshipalya,  
 Magadi Rd, Bangalore 560 079, Karnataka, India

THIS DRAWING IS COPYRIGHT AND THE PROPERTY OF TURBO INDIA INTERCONNECT SOLUTIONS. IT MUST NOT BE COPIED, USED FOR MANUFACTURE OR OTHERWISE DISCLOSED WITHOUT PRIOR WRITTEN CONSENT OF THE COMPANY.

UNLESS OTHERWISE SPECIFIED :  
 ALL DIMENSIONS IN MILLIMETRES  
 GENERAL TOL:  
 LINEAR : ± 0.10MM  
 ANGULAR : ± 2°

MATERIAL : ---  
 WEIGHT : ---  
 REV.No  
 00  
 ASSEMBLY USED ON:  
 MIL-DTL 38999 Series III Connectors

DESCRIPTION :  
**DUMMY STOWAGE RECEPTACLE**  
 PART NUMBER / SERIES:  
**TBDSR-03**  
 PAGE:NO  
**68**