

TABLE - I (SHELL SIZE)

SHELL SIZE	□ A	□ B	Ø D	J MAX	Ø K	L MAX
10SL	25.40	18.20	3.20	14.20	18.20	17.50
12S	28.00	20.60	3.20	14.20	21.40	18.00
14S	30.00	23.00	3.20	14.20	24.60	18.00
16S	32.50	24.60	3.20	14.20	27.40	18.00
16	32.50	24.60	3.20	19.00	27.40	23.50
18	35.00	27.00	3.20	19.00	30.80	23.50
20	38.00	29.40	3.20	19.00	34.20	23.50
22	41.00	31.80	3.20	19.00	37.40	23.50
24	44.50	34.90	3.70	20.60	40.90	25.50
28	50.80	39.70	3.70	20.60	46.70	25.50
32	57.00	44.50	4.30	22.20	53.40	27.00
36	63.50	49.20	4.30	22.20	59.60	27.00

ORDERING INFORMATION

TB DSR-95234 - 18-VB - 27.00

BRAND IDENTIFIER ————

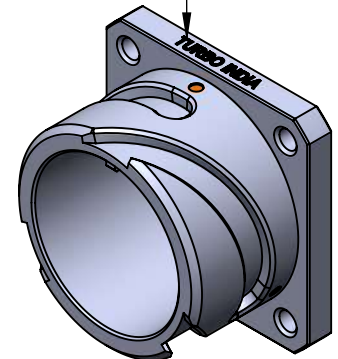
PRODUCT SERIES CODE ————

SHELL SIZE
(SEE TABLE - I)

MATERIAL & FINISH
(SEE PAGE - D)

LENGTH CODE
SPECIFY REQUIRED DIMENSION IN mm.
(OMIT FOR STADARD LENGTH AS PER SHELL SIZE)

**PARTMARK
HERE
(LASER MARKED)**



		DATE
DRAWN :	AD	20-05-2021
CHECKED :	AD	20-05-2021
APPROVED :	MR	21-05-2021



TURBO INDIA
INTERCONNECT SOLUTIONS
#114, 1st Floor, P C Industrial Estate, Kamakshipalya,
Magadi Rd, Bangalore 560 079, Karnataka, India

THIS DRAWING IS COPYRIGHT AND THE PROPERTY OF TURBO INDIA INTERCONNECT SOLUTIONS. IT MUST NOT BE COPIED, USED FOR MANUFACTURE OR OTHERWISE DISCLOSED WITHOUT PRIOR WRITTEN CONSENT OF THE COMPANY.

UNLESS OTHERWISE SPECIFIED : ALL DIMENSIONS IN MILLIMETRES
GENERAL TOL: LINEAR : ± 0.10MM
ANGULAR : ± 2°

MATERIAL : ---

WEIGHT : ---

REV.No
00

ASSEMBLY USED ON:
VG95234 CONNECTORS

DESCRIPTION :
DUMMY STOWAGE RECEPTACLE

PART NUMBER / SERIES:
TBDSR-01

PAGE:NO
65