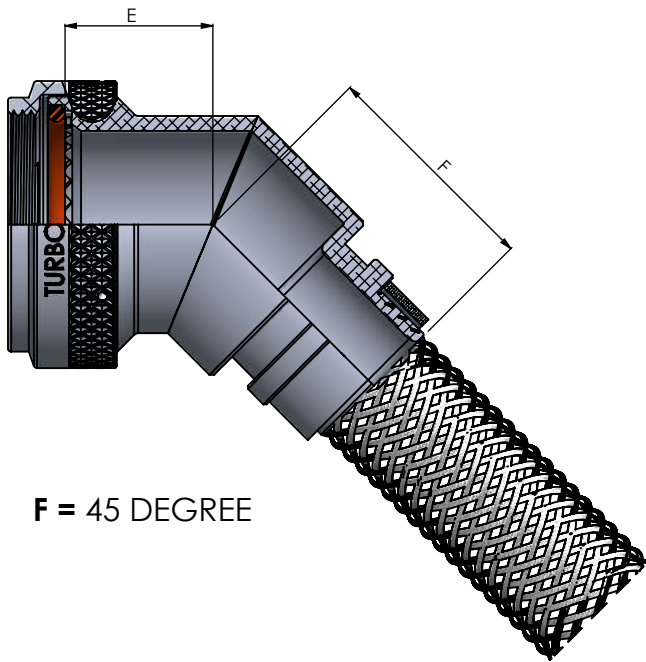
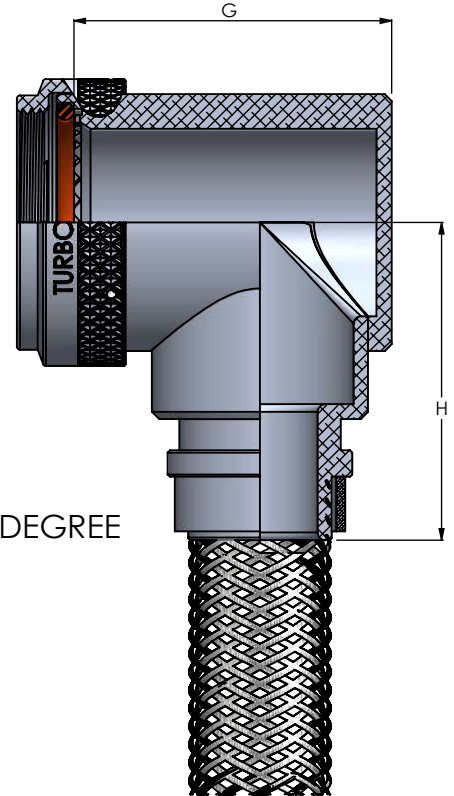


S = STRAIGHT



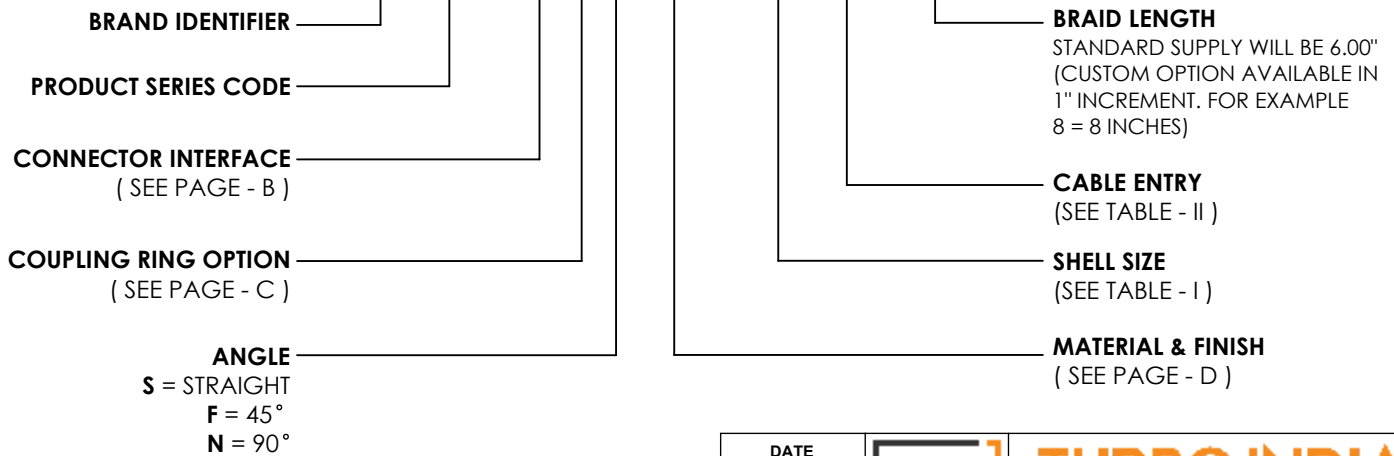
F = 45 DEGREE



N = 90 DEGREE

ORDERING INFORMATION

TB 51 - H 3 F VB - 17 08 - 8



** CUSTOMIZATION POSSIBLE

		DATE
DRAWN :	VN	25-12-2020
CHECKED :	AD	25-12-2020
APPROVED :	MR	25-12-2020



TURBO INDIA
INTERCONNECT SOLUTIONS LLP
#114, 1st Floor, P C Industrial Estate, Kamakshipalya,
Magadi Rd, Bangalore 560 079, Karnataka, India

THIS DRAWING IS COPYRIGHT AND THE PROPERTY OF TURBO INDIA INTERCONNECT SOLUTIONS. IT MUST NOT BE COPIED, USED FOR MANUFACTURE OR OTHERWISE DISCLOSED WITHOUT PRIOR WRITTEN CONSENT OF THE COMPANY.

UNLESS OTHERWISE SPECIFIED : ALL DIMENSIONS IN MILLIMETRES
GENERAL TOL:
LINEAR : ± 0.10MM
ANGULAR : ± 2°

MATERIAL :	---	REV.No 01
WEIGHT :	---	
ASSEMBLY USED ON:	---	

DESCRIPTION :		
SHIELD SOCK - SHRINK BOOT ADAPTER		
PART NUMBER / SERIES:	PAGE:NO	
SERIES 51	22	

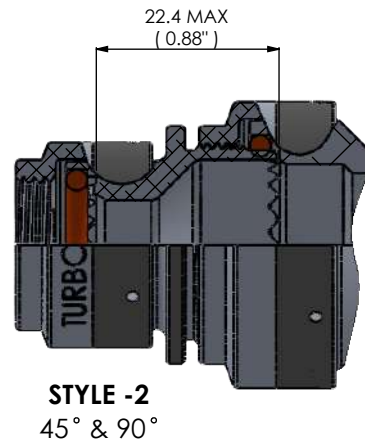
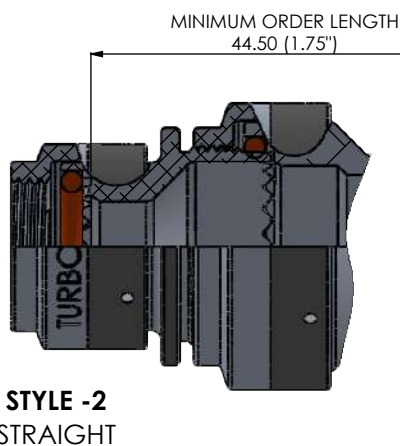
TABLE - I SHELL SIZE


CONNECTOR DESIGNATOR			RING DIMENSION	ELBOW DIMENSIONS			
A & B	F & D	H	Ø C MAX	E MAX	F MAX	G MAX	H MAX
08	08	09	22.48	21.90	27.30	25.70	30.10
10	10	11	25.65	22.70	28.10	26.70	31.90
12	12	13	28.83	23.20	28.70	31.20	33.40
14	14	15	32.00	23.70	29.40	37.20	35.00
16	16	17	35.18	24.40	29.90	40.20	36.50
18	18	19	38.35	24.90	30.40	44.70	37.80
20	20	21	41.53	25.70	31.20	49.20	39.50
22	22	23	44.70	26.20	31.70	51.70	40.80
24	24	25	47.88	27.00	32.40	53.20	42.60

TABLE- II CABLE ENTRY

DASH NO	Ø J +0.20	Ø L MAX
03	4.8	12.50
04	6.3	14.00
05	7.9	15.60
06	9.5	17.20
07	11.1	18.80
08	12.7	20.40
09	14.2	21.90
10	15.8	23.50
11	17.4	25.10
12	19.0	26.70
13	20.6	28.30
14	22.2	29.90
15	23.8	31.50
16	25.4	33.10
20	31.8	39.50
24	38.1	45.80

1. WHEN MAXIMUM CABLE ENTRY IS EXCEEDED , STYLE-2 WILL BE SUPPLIED . IN THAT CONDITION, DIMENSIONS E,F,G AND H WILL NOT APPLY.
2. FOR ANY KIND OF CUSTOMISATION/SHELL SIZE ON THIS BACKSHELL, FOR TERMINATION BANDS AND OTHER ACCESSORIES REACHOUT TO US ON sales@turboindia.co.in



<p>THIS DRAWING IS COPYRIGHT AND THE PROPERTY OF TURBO INDIA INTERCONNECT SOLUTIONS. IT MUST NOT BE COPIED, USED FOR MANUFACTURE OR OTHERWISE DISCLOSED WITHOUT PRIOR WRITTEN CONSENT OF THE COMPANY.</p>	<p>UNLESS OTHERWISE SPECIFIED : ALL DIMENSIONS IN MILLIMETRES GENERAL TOL: LINEAR : ± 0.10MM ANGULAR : ± 2°</p>	<table border="1"> <tr><td>DRAWN :</td><td>VN</td><td>25-12-2020</td></tr> <tr><td>CHECKED :</td><td>AD</td><td>25-12-2020</td></tr> <tr><td>APPROVED :</td><td>MR</td><td>25-12-2020</td></tr> </table>	DRAWN :	VN	25-12-2020	CHECKED :	AD	25-12-2020	APPROVED :	MR	25-12-2020	<table border="1"> <tr><td>DATE</td><td></td></tr> <tr><td>REV.No</td><td>01</td></tr> </table>	DATE		REV.No	01	
		DRAWN :	VN	25-12-2020													
		CHECKED :	AD	25-12-2020													
		APPROVED :	MR	25-12-2020													
DATE																	
REV.No	01																
<table border="1"> <tr><td>MATERIAL :</td><td>---</td></tr> <tr><td>WEIGHT :</td><td>---</td></tr> </table>	MATERIAL :	---	WEIGHT :	---	<p>DESCRIPTION :</p> <p>SHIELD SOCK - SHRINK BOOT ADAPTER</p>												
MATERIAL :	---																
WEIGHT :	---																
<p>ASSEMBLY USED ON:</p> <p>---</p>	<p>PART NUMBER / SERIES:</p> <p>SERIES 51</p>	<p>PAGE:NO</p> <p>23</p>															