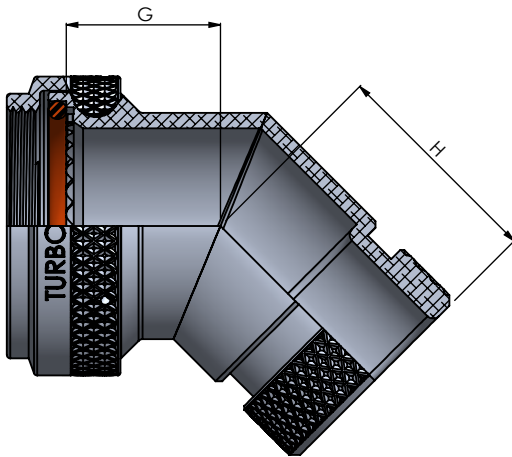
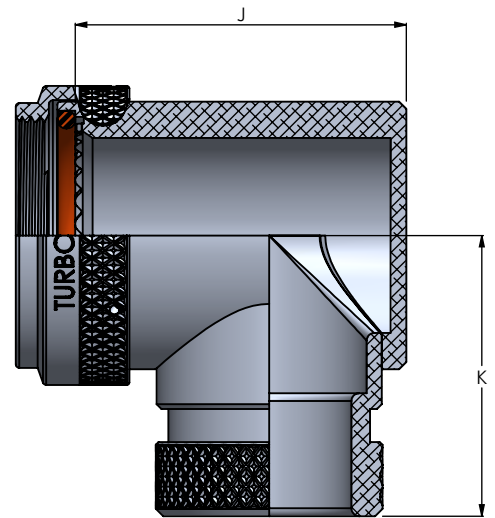


**S = STRAIGHT**



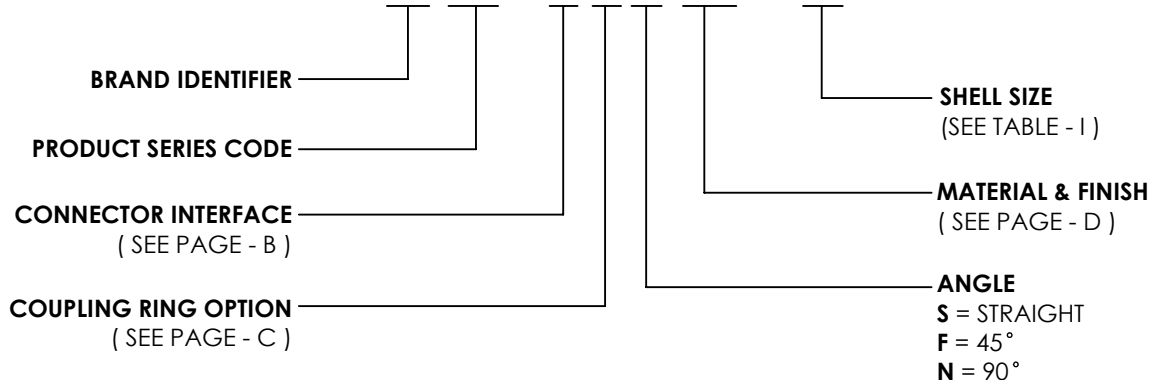
**F = 45 DEGREE**



**N = 90 DEGREE**

### ORDERING INFORMATION

**TB 41 - H 3 S VO - 11**



**\*\* CUSTOMIZATION POSSIBLE**

		DATE
DRAWN :	VN	25-12-2020
CHECKED :	AD	25-12-2020
APPROVED :	MR	25-12-2020



**TURBO INDIA**  
INTERCONNECT SOLUTIONS LLP  
#114, 1st Floor, P C Industrial Estate, Kamakshipalya,  
Magadi Rd, Bangalore 560 079, Karnataka, India

THIS DRAWING IS COPYRIGHT AND THE PROPERTY OF TURBO INDIA INTERCONNECT SOLUTIONS. IT MUST NOT BE COPIED, USED FOR MANUFACTURE OR OTHERWISE DISCLOSED WITHOUT PRIOR WRITTEN CONSENT OF THE COMPANY.


UNLESS OTHERWISE SPECIFIED : ALL DIMENSIONS IN MILLIMETRES  
GENERAL TOL :  
LINEAR : ± 0.10MM  
ANGULAR : ± 2°

MATERIAL :	---	<b>REV.No</b> 01
WEIGHT :	---	
<b>ASSEMBLY USED ON:</b>		
---		

<b>DESCRIPTION :</b>	
<b>O-RING SEALED SHRINK BOOT ADAPTER</b>	
<b>PART NUMBER / SERIES:</b>	<b>PAGE:NO</b>
<b>SERIES 41</b>	<b>20</b>

TABLE - I SHELL SIZE									
CONNECTOR DESIGNATOR			RING DIMENSION	ENTRY DIMENSIONS		ELBOW DIMENSIONS			
A & B	F & D	H	Ø C MAX	Ø D MIN	Ø E MAX	G MAX	H MAX	J MAX	K MAX
08	08	09	22.48	6.3	13.50	17.00	21.40	25.70	24.20
10	10	11	25.65	9.5	15.40	17.70	22.10	26.70	25.70
12	12	13	28.83	12.7	19.70	18.30	22.60	31.20	27.20
14	14	15	32.00	14.2	21.30	18.70	23.40	37.20	29.00
16	16	17	35.18	17.4	24.50	19.40	23.90	40.20	30.50
18	18	19	38.35	19.0	26.50	19.80	24.20	44.70	31.00
20	20	21	41.53	22.2	30.90	20.40	24.70	49.20	32.60
22	22	23	44.70	25.4	34.40	21.10	25.70	51.70	34.60
24	24	25	47.88	28.6	36.70	21.70	26.50	53.20	36.40

\*\*\* FOR ANY KIND OF CUSTOMISATION/SHELL SIZE ON THIS BACKSHELL, FOR TERMINATION BANDS AND OTHER ACCESSORIES REACHOUT TO US ON [sales@turboindia.co.in](mailto:sales@turboindia.co.in)

THIS DRAWING IS COPYRIGHT AND THE PROPERTY OF TURBO INDIA INTERCONNECT SOLUTIONS. IT MUST NOT BE COPIED, USED FOR MANUFACTURE OR OTHERWISE DISCLOSED WITHOUT PRIOR WRITTEN CONSENT OF THE COMPANY.	UNLESS OTHERWISE SPECIFIED : ALL DIMENSIONS IN MILLIMETRES GENERAL TOL: LINEAR : ± 0.10MM ANGULAR : ± 2°	DRAWN :	VN	DATE	25-12-2020	 <b>TURBO INDIA</b> INTERCONNECT SOLUTIONS LLP #114, 1st Floor, P C Industrial Estate, Kamakshipalya, Magadi Rd, Bangalore 560 079, Karnataka, India
		CHECKED :	AD	DATE	25-12-2020	
		APPROVED :	MR	DATE	25-12-2020	
		MATERIAL :	---	REV.No	01	
		WEIGHT :	---	DESCRIPTION :	O-RING SEALED SHRINK BOOT ADAPTER	
		ASSEMBLY USED ON:			PART NUMBER / SERIES:	PAGE:NO
		---			SERIES 41	21