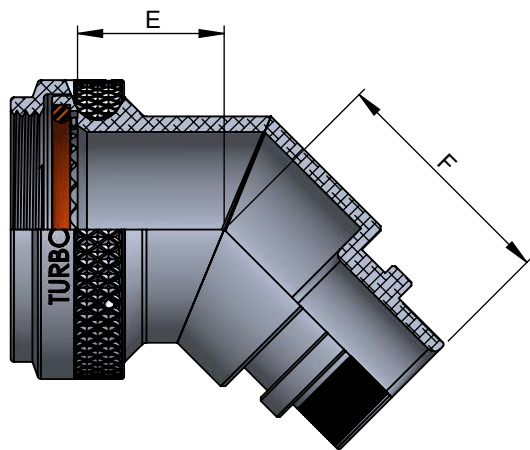
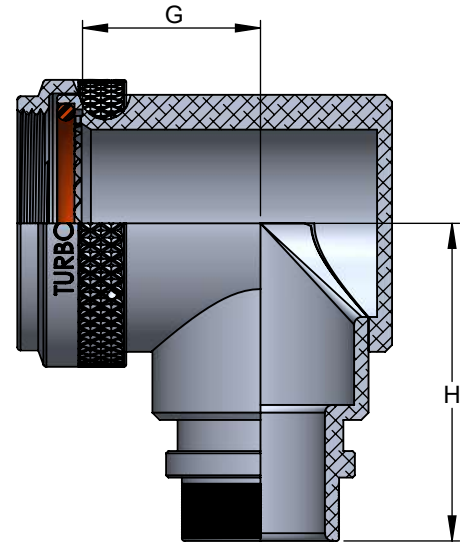


S = STRAIGHT



F = 45 DEGREE



N = 90 DEGREE

## TB 31 - H 3 S W - 17 05 - ST

|   |   |   |    |   |   |   |   |   |   |    |    |   |    |  |
|---|---|---|----|---|---|---|---|---|---|----|----|---|----|--|
| BRAND IDENTIFIER                            | T | B | 31 | - | H | 3 | S | W | - | 17 | 05 | - | ST | LENGTH CODE<br>ONLY FOR STRAIGHT PARTS.<br>ST FOR STANDARD LENGTH<br>(L) - 1.25" (1/2" INCREMENT.<br>FOR EXAMPLE 8 = 4 INCHES) |
| PRODUCT SERIES CODE                         |   |   |    |   |   |   |   |   |   |    |    |   |    |  |
| CONNECTOR INTERFACE<br>(SEE PAGE - 07)      |   |   |    |   |   |   |   |   |   |    |    |   |    |  |
| COUPLING RING OPTION<br>(SEE PAGE - 05)     |   |   |    |   |   |   |   |   |   |    |    |   |    |  |
| ANGLE<br>S = STRAIGHT<br>F = 45°<br>N = 90° |   |   |    |   |   |   |   |   |   |    |    |   |    |  |
|   |   |   |    |   |   |   |   |   |   |    |    |   |    | CABLE ENTRY<br>(SEE TABLE - II)  |
|   |   |   |    |   |   |   |   |   |   |    |    |   |    | SHELL SIZE<br>(SEE TABLE - I)  |
|   |   |   |    |   |   |   |   |   |   |    |    |   |    | MATERIAL & FINISH<br>(SEE PAGE - 06)   |

|            |    | DATE       |
|------------|----|------------|
| DRAWN :    | AD | 29-10-2020 |
| CHECKED :  | AD | 29-10-2020 |
| APPROVED : | MR | 29-10-2020 |



**TURBO INDIA**  
INTERCONNECT SOLUTIONS  
#114, 1st Floor, P C Industrial Estate, Kamakshipalya,  
Magadi Rd, Bangalore 560 079, Karnataka, India

THIS DRAWING IS COPYRIGHT AND THE PROPERTY OF TURBO INDIA INTERCONNECT SOLUTIONS. IT MUST NOT BE COPIED, USED FOR MANUFACTURE OR OTHERWISE DISCLOSED WITHOUT PRIOR WRITTEN CONSENT OF THE COMPANY.

UNLESS OTHERWISE SPECIFIED : ALL DIMENSIONS IN MILLIMETRES  
GENERAL TOL: LINEAR : ± 0.10MM  
ANGULAR : ± 2°

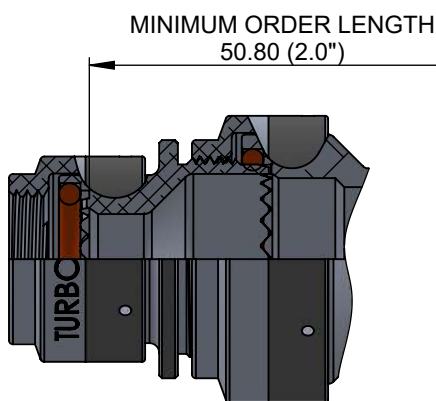
|                   |     |              |
|-------------------|-----|--------------|
| MATERIAL :        | --- | REV.No<br>01 |
| WEIGHT :          | --- |              |
| ASSEMBLY USED ON: |     |              |
| ---               |     |              |

|                               |         |
|-------------------------------|---------|
| DESCRIPTION :                 |         |
| EMI/RFI - MEMORY RING ADAPTER |         |
| PART NUMBER / SERIES:         | PAGE:NO |
| SERIES 31                     | 18      |

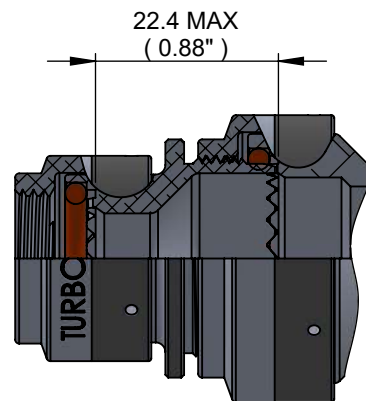
| TABLE - I SHELL SIZE |     |    |                |                  |       |       |       |
|----------------------|-----|----|----------------|------------------|-------|-------|-------|
| CONNECTOR DESIGNATOR |     |    | RING DIMENSION | ELBOW DIMENSIONS |       |       |       |
| A&B                  | F&D | H  | Ø C MAX        | E MAX            | F MAX | G MAX | H MAX |
| 08                   | 08  | 09 | 15.67          | 16.30            | 22.60 | 19.10 | 25.40 |
| 10                   | 10  | 11 | 18.64          | 16.80            | 23.40 | 20.60 | 26.90 |
| 12                   | 12  | 13 | 21.79          | 17.50            | 23.90 | 22.10 | 28.40 |
| 14                   | 14  | 15 | 24.99          | 18.00            | 24.60 | 23.40 | 30.20 |
| 16                   | 16  | 17 | 28.24          | 18.50            | 25.10 | 24.90 | 31.80 |
| 18                   | 18  | 19 | 30.93          | 19.10            | 25.40 | 25.90 | 32.30 |
| 20                   | 20  | 21 | 34.16          | 19.60            | 25.90 | 27.40 | 33.80 |
| 22                   | 22  | 23 | 37.28          | 20.30            | 26.90 | 29.00 | 35.80 |
| 24                   | 24  | 25 | 40.46          | 20.80            | 27.70 | 30.50 | 37.60 |
| 28                   |     |    | 50.01          | 26.40            | 32.00 | 37.60 | 43.70 |
| 32                   |     |    | 56.36          | 27.70            | 33.00 | 40.90 | 46.00 |
| 36                   |     |    | 62.71          | 29.00            | 34.30 | 43.70 | 48.80 |
| 40                   |     |    | 69.06          | 30.00            | 35.30 | 46.50 | 51.60 |
| 44                   |     |    | 75.41          | 31.50            | 36.60 | 49.50 | 54.90 |
| 48                   |     |    | 81.76          | 32.80            | 37.80 | 52.80 | 57.90 |
| 61                   |     |    | 41.98          | 25.40            | 30.70 | 35.30 | 39.90 |

| TABLE-II CABLE ENTRY |           |           |            |
|----------------------|-----------|-----------|------------|
| DASH NO              | Ø J +0.20 | Ø K +0.10 | Ø L ± 0.10 |
| 03                   | 4.80      | 9.50      | 14.00      |
| 04                   | 6.40      | 11.10     | 14.00      |
| 05                   | 7.90      | 12.70     | 15.50      |
| 06                   | 9.50      | 14.30     | 17.10      |
| 07                   | 11.10     | 15.80     | 18.70      |
| 08                   | 12.70     | 17.40     | 20.30      |
| 10                   | 15.90     | 20.60     | 23.50      |
| 12                   | 19.10     | 23.80     | 26.70      |
| 14                   | 22.20     | 27.00     | 29.80      |
| 16                   | 25.40     | 30.10     | 33.00      |
| 18                   | 28.60     | 33.30     | 36.20      |
| 20                   | 31.80     | 36.50     | 39.40      |
| 22                   | 34.90     | 39.70     | 42.50      |
| 24                   | 38.10     | 42.80     | 45.70      |

1. WHEN MAXIMUM CABLE ENTRY IS EXCEEDED , STYLE-2 WILL BE SUPPLIED . IN THAT CONDITION, DIMENSIONS E,F,G AND H WILL NOT APPLY.
2. FOR ANY KIND OF CUSTOMISATION ON THIS BACKSHELL, REACHOUT TO US ON [sales@turboindia.co.in](mailto:sales@turboindia.co.in)



**STYLE -2**  
STRAIGHT



**STYLE -2**  
45° & 90°

|            |    | DATE       |
|------------|----|------------|
| DRAWN :    | AD | 01-10-2020 |
| CHECKED :  | AD | 01-10-2020 |
| APPROVED : | MR | 01-10-2020 |



**TURBO INDIA**  
INTERCONNECT SOLUTIONS

#114, 1st Floor, P C Industrial Estate, Kamakshipalya,  
Magadi Rd, Bangalore 560 079, Karnataka, India

THIS DRAWING IS COPYRIGHT AND THE PROPERTY OF TURBO INDIA INTERCONNECT SOLUTIONS. IT MUST NOT BE COPIED, USED FOR MANUFACTURE OR OTHERWISE DISCLOSED WITHOUT PRIOR WRITTEN CONSENT OF THE COMPANY.

UNLESS OTHERWISE SPECIFIED :  
ALL DIMENSIONS IN MILLIMETRES  
GENERAL TOL:  
LINEAR : ± 0.10MM  
ANGULAR : ± 2°

|                          |     |                     |
|--------------------------|-----|---------------------|
| MATERIAL :               | --- | <b>REV.No</b><br>01 |
| WEIGHT :                 | --- |                     |
| <b>ASSEMBLY USED ON:</b> |     |                     |
| ---                      |     |                     |

|                               |                |
|-------------------------------|----------------|
| <b>DESCRIPTION :</b>          |                |
| EMI/RFI - MEMORY RING ADAPTER |                |
| <b>PART NUMBER / SERIES:</b>  | <b>PAGE:NO</b> |
| SERIES 31                     | 19             |