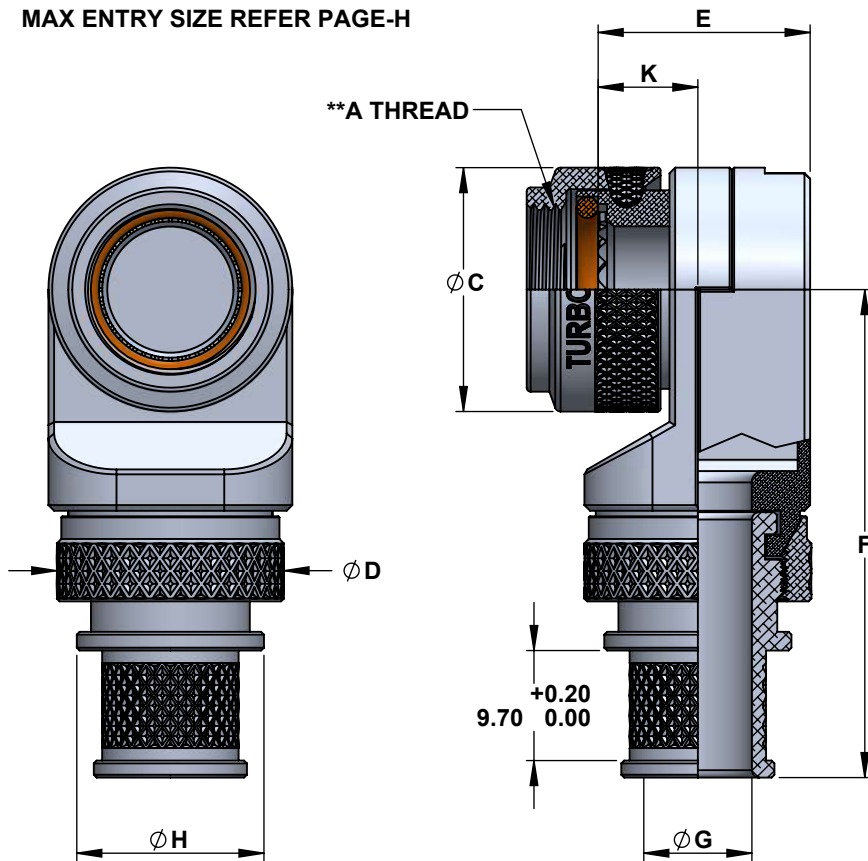
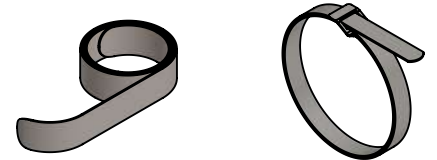


****FOR A-THREAD DIMENSIONS AND
MAX ENTRY SIZE REFER PAGE-H**



BANDING OPTIONS

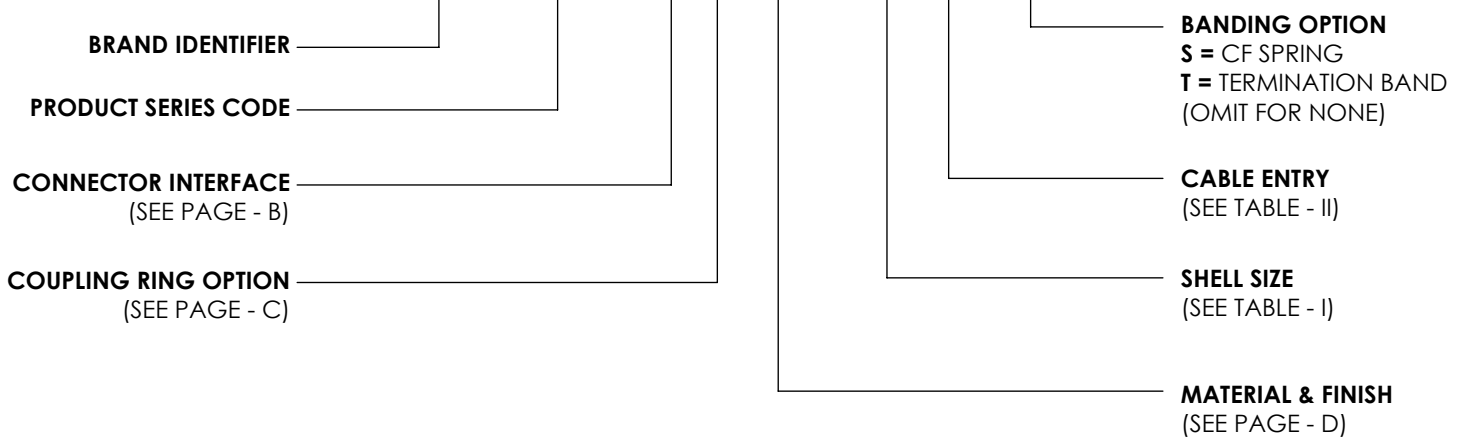


S = CONSTANT FORCE SPRING T = TERMINATION BAND

FOR SELECTING SUITABLE TERMINATION ACCESSORY, GO TO ACCESSORIES SECTION IN CATALOG

ORDERING INFORMATION

TB 120-01-A 3 VB - 18 07 - T



		DATE
DRAWN :	AD	12-04-2021
CHECKED :	AD	12-04-2021
APPROVED :	MR	12-04-2021



TURBO INDIA
 INTERCONNECT SOLUTIONS
 #114, 1st Floor, P C Industrial Estate, Kamakshipalya,
 Magadi Rd, Bangalore 560 079, Karnataka, India

THIS DRAWING IS COPYRIGHT AND THE PROPERTY OF TURBO INDIA INTERCONNECT SOLUTIONS. IT MUST NOT BE COPIED, USED FOR MANUFACTURE OR OTHERWISE DISCLOSED WITHOUT PRIOR WRITTEN CONSENT OF THE COMPANY.

UNLESS OTHERWISE SPECIFIED : ALL DIMENSIONS IN MILLIMETRES
 GENERAL TOL: LINEAR : $\pm 0.10\text{MM}$
 ANGULAR : $\pm 2^\circ$

MATERIAL :	---	REV.No 00
WEIGHT :	---	
ASSEMBLY USED ON:		

DESCRIPTION :	
EMI/RFI ULTRA LOW PROFILE BACKSHELLS	
PART NUMBER / SERIES:	PAGE:NO
SERIES 120-01	37

TABLE - I SHELL SIZE

SHELL SIZE				RING DIMENSION	ELBOW DIMENSIONS				
A	F SER-I	F SER-II & D	H	Ø C MAX	K MAX	E MAX	F MAX	Ø D MAX	MAX ENTRY
08	09	08	09	22.48	9.50	17.70	48.60	18.70	04
10	11	10	11	25.65	9.50	19.00	52.70	21.70	06
12	13	12	13	28.83	9.50	22.10	52.70	24.70	06
14	15	14	15	32.00	10.50	22.10	58.80	24.70	08
16	17	16	17	35.18	11.20	25.10	58.80	28.70	10
18	19	18	19	38.35	17.00	30.00	61.50	28.70	10
20	21	20	21	41.53	17.00	30.00	62.50	28.70	10
22	23	22	23	44.70	16.10	33.50	65.00	31.70	12
24	25	24	25	47.88	18.10	36.50	66.50	31.70	12

TABLE- II CABLE ENTRY

DASH NO	Ø G +0.20	Ø H MAX
02	3.20	10.41
03	4.70	11.91
04	6.30	13.51
05	7.90	15.11
06	9.50	16.71
07	11.10	18.31
08	12.70	19.91
09	14.20	21.41
10	15.80	23.01
11	17.40	24.61
12	19.00	26.21

1. PRODUCT IS CONFIGURED UP TO THE MAXIMUM ENTRY SIZE AS PER SHELL SIZE. IF MAXIMUM ENTRY EXCEEDED CUSTOMISATION CAN BE OPTED.FOR THAT FINAL CUSTOMER REFERENCE DRAWING WILL BE SUPPLIED TO THE CUSTOMER FOR CONFIRMATION FROM ENGINEERING DEPARTMENT BEFORE GOING FOR PRODUCTION.
2. FOR ANY KIND OF CUSTOMISATION/SHELL SIZE ON THIS BACKSHELL, REACHOUT TO US ON sales@turboindia.co.in

		DATE
DRAWN :	AD	12-04-2021
CHECKED :	AD	12-04-2021
APPROVED :	MR	12-04-2021



TURBO INDIA
 INTERCONNECT SOLUTIONS
 #114, 1st Floor, P C Industrial Estate, Kamakshipalya,
 Magadi Rd, Bangalore 560 079, Karnataka, India

THIS DRAWING IS COPYRIGHT AND THE PROPERTY OF TURBO INDIA INTERCONNECT SOLUTIONS. IT MUST NOT BE COPIED, USED FOR MANUFACTURE OR OTHERWISE DISCLOSED WITHOUT PRIOR WRITTEN CONSENT OF THE COMPANY.

UNLESS OTHERWISE SPECIFIED :
 ALL DIMENSIONS IN MILLIMETRES
 GENERAL TOL:
 LINEAR : ± 0.10MM
 ANGULAR : ± 2°

MATERIAL :	---	REV.No 00
WEIGHT :	---	
ASSEMBLY USED ON:		

DESCRIPTION :	
EMI/RFI ULTRA LOW PROFILE BACKSHELLS	
PART NUMBER / SERIES:	PAGE:NO
SERIES 120-01	38